



OPERATOR'S MANUAL

A Division of Snow Joe®, LLC

CORDLESS AUTOMATIC DRAIN AUGER – CORE TOOL

25-FT | 24-VOLT MAX* | VARIABLE SPEED

Model 24V-DRNCLN-CT

Form No. SJ-24V-DRNCLN-CT-880E-M

IMPORTANT! Safety Instructions

All Operators Must Read These Instructions Before Use

Any electrical appliance can be dangerous if used incorrectly. Some of the safety precautions given in this manual apply generally to many appliances. Other warnings are specific to the use of this electric drain auger.

Always follow these safety guidelines. Failure to do so may result in serious bodily injury or death.

⚠ DANGER! This indicates a hazardous situation, which, if not followed, will result in serious injury or death.

⚠ WARNING! This indicates a hazardous situation, which, if not followed, could result in serious injury or death.

⚠ CAUTION! This indicates a hazardous situation, which, if not followed, could result in minor or moderate injury.

Work Area Safety

⚠ WARNING! When using the drain auger, basic safety precautions should always be followed to reduce the risk of fire, electric shock, and personal injury. These include:

1. **Keep work area clean and well-lit** – Cluttered, dark areas invite accidents.
2. **Keep children, bystanders, and pets away** – All spectators, including pets, should be kept a safe distance away from the work area.
3. **Do not operate power tools in explosive atmospheres, such as in the presence of flammable liquids, gases or dust** – Power tools create sparks which may ignite the dust or fumes.

Personal Safety


1. **Stay alert** – Watch what you are doing. Use common sense. Do not operate the cordless drain auger when you are tired, or under the influence of alcohol or drugs.
2. **Dress properly** – Do not wear loose clothing or jewelry. They can get caught in moving parts. Loose clothes, jewelry, or long hair can be caught in moving parts.
3. **Avoid unintentional starting** – Do not carry the cordless drain auger with your finger on the trigger.

4. **Do not overreach** – Keep proper footing and balance at all times. Proper footing and balance enable better control of the cordless drain auger in unexpected situations.
5. **Use safety equipment** – Always wear eye protection. Dust mask, non-skid safety shoes, hard hat, or hearing protection must be used for appropriate conditions.
6. **Do not use on a ladder or unstable support** – Stable footing on a solid surface enables better control of the cordless drain auger in unexpected situations.
7. **Remove any adjusting key or wrench before turning the power tool on** – A wrench or a key left attached to a rotating part of the power tool may result in personal injury.
8. **If attachments are provided for dust collection and extraction, make sure they are properly connected and used** – Removing dust can reduce dust-related hazards.

Power Tool Use + Care

1. **Do not force the tool** – It will perform better with less likelihood of personal or mechanical injury if it is used at the rate for which it was designed.
2. **Store idle cordless drain auger out of reach of children or other untrained persons** – Cordless drain augers are dangerous in the hands of untrained users.
3. **Do not expose cordless drain auger to rain or wet conditions** – Water entering the drain auger will increase the risk of electric shock.
4. **Do not use cordless drain auger if switch does not turn it on or off** – The cordless drain auger that cannot be controlled with the switch is dangerous and must be repaired.
5. **Use only accessories that are recommended by the manufacturer for your model** – Accessories that may be suitable for one cordless drain auger may create a risk of injury when used on another cordless drain auger.
6. **Disconnect battery pack from the cordless drain auger before making any adjustments, changing accessories, or storing the cordless drain auger** – Such preventive safety measures reduce the risk of starting the cordless drain auger accidentally.
7. **Check for misalignment or binding of moving parts, breakage of parts, and any other condition that may affect the cordless drain auger's operation** – If damaged, have the cordless drain auger serviced before using. Many accidents are caused by poorly maintained tools.

8. **When battery pack is not in use, keep it away from metal objects like: paper clips, coins, keys, nails, screws, or other small metal objects that can make a connection from one terminal to another** – Shorting the battery terminals together may cause sparks, burns, or a fire.
9. **Keep the cordless drain auger and its handle dry, clean and free from oil and grease** – Always use a clean cloth when cleaning. Never use brake fluid, gasoline, petroleum-based products, or any strong solvents to clean your cordless drain auger. Following this rule will reduce the risk of loss of control and deterioration of the enclosure plastic.
10. **Wear gloves with colloidal particles.**
11. **Wear safety goggles.**
12. **Do not use damaged or broken cables.**

 **WARNING!** The cable may wrap or break the fingers and palms, or cause damage to other parts of the body.

Machine Safety

Do not use soft gloves or cloth to hold the rotating cable, which may cause serious injury if twisted in the cable.

Do not over-extend the cable; overextension due to blockage may cause the cable to become unwound, overwound, or break off and cause serious injury.

Specific Safety Warnings for Cordless Drain Auger

1. **Know your cordless drain auger.** Know how to start and stop the tool. Thoroughly familiarize yourself with the controls.
2. **Avoid unintentional starting.** Do not carry the cordless drain auger with your finger on the trigger.
3. **Always wear safety glasses or eye protection with side shields when assembling parts, operating the tool, or performing maintenance.** Following this rule will reduce the risk of serious personal injury.
4. **Position the drain auger within four inches of the drain or inlet being cleared.** Operating the tool at greater distances can result in the cable twisting or binding.
5. **Do not put too much stress on cable. Quickly release tension if it starts to build in the cable.** Excess tension will cause the cable to twist, kink, or break.
6. **Put the machine near the pipe opening. Reverse motor direction only when pulling the cable off an obstruction. Trying to push the cable down the drain pipe or pull it out of the drain pipe while in reverse operation will unravel and break the cable.** Wait for the drum to stop turning completely before changing the rotation switch.
7. **Never place your hand near the drum or cable as it is rotating.** Following this rule will reduce the risk of serious personal injury.
8. **Do not lay the tool down until it has come to a complete stop.** Moving parts can grab the surface and pull the tool out of your control.
9. **When using a handheld power tool, maintain a firm grip on the tool with both hands to resist starting torque.**
10. **Only use drain auger to clean drains of recommended sizes according to these instructions.** Other uses or modifying the drain auger for other applications may increase the risk of injury.
11. **Clogged drains may contain bacteria, cleaning solutions, or other potentially harmful substances.** Always use hot, soapy water to wash hands and other body parts exposed to drain auger after handling or using drain auger. Do not eat or smoke while operating or handling drain auger. This will help prevent contamination with toxic or infectious material.
13. **Have your drain auger serviced by a qualified repair person using only identical replacement parts.** This will ensure that the safety of the drain auger is maintained.
14. **Do not use in drain pipe containing drain cleaning chemicals.**
15. **Do not use in drain pipe obstructed by roots.**
16. **Do not place battery tools or their batteries near fire or heat.** This will reduce the risk of explosion and possibly injury.
17. **Only grasp the rotating cable with gloves recommended by the manufacturer.** Latex or loose fitting gloves or rags can become wrapped around the cable and may result in serious personal injury.
18. **Do not allow the cutter to stop turning while the cable is turning.** This can overstress the cable and may cause twisting, kinking or breaking of the cable and may result in serious personal injury.
19. **Inspect cable for wear and damage before use.** Replace a worn or damaged cable before using the drain cleaner.
20. **Do not twist, kink, or over bend cables.** Breaking of the cable may result in serious personal injury.
21. **This product is not a toy.** Keep it out of reach of children.
22. **Make sure cable is fully retracted inside of the drain cleaner. This will prevent whipping at start up.**
23. **Inspect the drain to be cleaned before use. If possible, determine the access point(s) to the drain, the size(s) and length(s) of the drain, distance to mainlines, the nature of the blockage, presence of drain cleaning chemicals or other chemicals, etc.**

If chemicals are present in the drain, it is important to understand the specific safety measures required to work around those chemicals. Contact the chemical manufacturer for required information.

24. **If needed, place protective covers in the work area. The drain cleaning process can be messy.**
25. **Do not crush, drop or damage battery pack. Do not use a battery pack or charger that has been dropped to explosion.** Properly dispose of a dropped or damaged battery immediately.
26. **Batteries can explode in the presence of a source of ignition, such as a pilot light.** To reduce the risk of serious personal injury, never use any cordless product in the presence of open flame. Any exploded battery can propel debris and chemicals. If exposed, flush with water immediately.
27. **Do not charge battery tool in a damp or wet location.** Do not use, store, or charge battery packs or products in locations where the temperature is less than 50°F (10°C) or more than 100°F (37.7°C). Do not store outside or in vehicles.
28. **Under extreme usage or temperature conditions, battery leakage may occur. If liquid comes in contact with your skin, wash immediately with soap and water. If liquids gets into your eyes, flush them with clean water for at least 10 minutes, then seek immediate medical attention.** Following this rule will reduce the risk of serious personal injury.
29. **Remove the battery from the cordless drain auger when it is not in use, before servicing it, when changing accessories, and when performing any other maintenance task.**
30. **Use the right appliance.** Do not use the cordless drain auger for any applications other than those for which it was intended.
31. **Check for damaged parts.** Before further use of the cordless drain auger, all parts should be carefully checked to determine that it will operate properly and perform its intended function. Check for alignment of moving parts, binding of moving parts, breakage of parts, mounting, and any other condition that may affect its operation. A guard or other part that is damaged should be properly repaired or replaced. Contact the Snow Joe® + Sun Joe® customer service center at 1-866-SNOWJOE (1-866-766-9563) for assistance.

Electrical Safety

- **Electrical plugs must match the outlet** – Never modify the plug in any way. Do not use any adapter plugs with grounded appliances. Unmodified plugs and matching outlets will reduce the risk of electric shock.
- **Avoid accidental starting** – Make sure the switch is in the OFF position before inserting the battery pack into the unit. Do not carry the drain auger with the safety switch and switch lever engaged.

- **Power tool plugs must match the outlet** – Never modify the plug in any way. Do not use any adapter plugs with earthed (grounded) power tools. Unmodified plugs and matching outlets will reduce risk of electric shock.
- **Avoid body contact with earthed or grounded surfaces, such as pipes, radiators, ranges and refrigerators.** There is an increased risk of electric shock if your body is earthed or grounded.
- **Do not expose power tools to rain or wet conditions.** Water entering a power tool will increase the risk of electric shock.
- **Do not abuse the cord. Never use the cord for carrying, pulling or unplugging the power tool.** Keep cord away from heat, oil, sharp edges or moving parts. Damaged or entangled cords increase the risk of electric shock.
- **When operating a power tool outdoors, use an extension cord suitable for outdoor use.** Use of a cord suitable for outdoor use reduces the risk of electric shock.
- **If operating a power tool in a damp location is unavoidable, use a residual current device (RCD) protected supply.** Use of an RCD reduces the risk of electric shock.

Battery + Charger Safety Instructions

NOTE: This unit is a core tool. The battery and the charger are not included. They must be purchased separately. Model 24V-DRNCLN-CT is compatible with the iON+ 24V System batteries and chargers. See page 17 for more information.

We pay a great deal of attention to the design of every battery pack to ensure that we supply you with batteries that are safe, durable and have a high energy density. The battery cells have a wide range of safety devices. Each individual cell is initially formatted and its electrical characteristic curves are recorded. This data is then used exclusively to be able to assemble the best possible battery packs.

Despite all the safety precautions, caution must always be exercised when handling batteries. The following points must be obeyed at all times to ensure safe use. Safe use can only be guaranteed if undamaged cells are used. Incorrect handling of the battery pack can cause cell damage.

IMPORTANT! Analyses confirm that incorrect use and poor care of high-performance batteries are the main factors responsible for personal and/or product damage.

⚠️ WARNING! Use only approved replacement batteries; other batteries may damage the power tool and cause it to malfunction, which can lead to serious personal injury.

⚠️ CAUTION! To reduce the risk of injury, charge the iON+ 24V lithium-ion battery pack only in their compatible iON+ 24V charger. Other types of chargers present risk of fire, personal injury and damage. Do not wire a battery pack to a power supply plug or car cigarette lighter. Such misuse will permanently disable or damage the battery pack.

⚠️ WARNING! Do not use a battery pack or appliance that is damaged or modified. Damaged or modified batteries may exhibit unpredictable behavior resulting in fire, explosion or risk of injury.

Do not modify or attempt to repair the appliance or the battery pack except as indicated in the instructions for use and care.

Have your battery pack serviced by a qualified repair person using only identical replacement parts. This will ensure that the safety of the battery pack is maintained.

⚠️ CAUTION! To reduce the risk of injury, charge the Sun Joe® 24V lithium-ion battery pack only in its designated Sun Joe® lithium-ion charger. Other types of chargers present risk of fire, personal injury and damage. Do not wire a battery pack to a power supply plug or car cigarette lighter. Such misuse will permanently disable or damage the battery pack.

- **Avoid dangerous environments** – Do not charge the battery pack in rain, snow or in damp or wet locations. Do not use the battery pack or charger in the presence of explosive atmospheres (gaseous fumes, dust or flammable materials) because sparks may be generated when inserting or removing the battery pack, which could lead to a fire.

- **Charge in a well-ventilated area** – Do not block the charger vents. Keep them clear to allow for proper ventilation. Do not allow smoking or open flames near a charging battery pack. Vented gases may explode.

NOTE: The safe temperature range for the battery is 41°F – 105°F (5°C – 40.5°C). Do not charge the battery outside in freezing weather; charge it at room temperature.

- **Maintain charger cord** – When unplugging the charger, pull the plug, not the cord, from the receptacle to reduce the risk of damage to the electrical plug and cord. Never carry the charger by its cord or yank it by the cord to disconnect it from the receptacle. Keep the cord away from heat, oil and sharp edges. Make sure the cord will not be stepped on, tripped over or subjected to damage or stress when the charger is in use. Do not use the charger with a damaged cord or plug. Replace a damaged charger immediately.

- **Do not use an extension cord unless it is absolutely necessary** – Using the wrong, damaged or improperly wired extension cord poses a risk of fire and electric shock. If an extension cord must be used, plug the charger into a properly wired 16 gauge or larger extension cord with the female plug matching the male plug on the charger. Make sure that the extension cord is in good electrical condition.

- **Charger 24VCHRG is rated for 120 volt AC only** – The charger must be plugged into an appropriate receptacle.

- **Use only recommended attachments** – Use of an attachment not recommended or sold by the battery charger or battery pack manufacturer may result in risk of fire, electric shock or personal injury.

- **Unplug charger when not in use** – Make sure to remove battery packs from unplugged chargers.

⚠️ WARNING! To reduce the risk of electric shock, always unplug the charger before performing any cleaning or maintenance. Do not allow water to flow into the charger. Use a Ground Fault Circuit Interrupter (GFCI) to reduce shock hazards.

- **Do not burn or incinerate battery packs** – Battery packs may explode, causing personal injury or damage. Toxic fumes and materials are created when battery packs are burned.

- **Do not crush, drop or damage battery packs** – Do not use the battery pack or charger if they have sustained a sharp blow, been dropped, run over or have been damaged in any way (i.e. pierced with a nail, hit with a hammer, stepped on, etc.).

- **Do not disassemble** – Incorrect reassembly may pose a serious risk of electric shock, fire or exposure to toxic battery chemicals. If the battery or charger are damaged, contact an authorized Snow Joe® + Sun Joe® dealer or call the Snow Joe® + Sun Joe® customer service center at 1-866-SNOWJOE (1-866-766-9563) for assistance.

- **Battery chemicals cause serious burns** – Never let a damaged battery pack contact the skin, eyes or mouth. If a damaged battery pack leaks battery chemicals, use rubber or neoprene gloves to safely dispose of it. If skin is exposed to battery fluids, wash the affected area with soap and water and rinse with vinegar. If eyes are exposed to battery chemicals, immediately flush with water for 20 minutes and seek medical attention. Remove and dispose of contaminated clothing.

- **Do not short circuit** – When battery pack is not in use, keep it away from other metal objects, like paper clips, coins, keys, nails, screws or other small metal objects, that can make a connection from one terminal to another. Shorting the battery terminals together may cause burns or a fire.

- **Store your battery pack and charger in a cool, dry place** – Do not store the battery pack or charger where temperatures may exceed 105°F (40.5°C), such as in direct sunlight or inside a vehicle or metal building during the summer.

Information about the battery

1. The iON+ 24V System battery pack must be purchased separately for use with this cordless drain auger is only partially charged. The battery pack has to be charged completely before you use the tool for the first time.
2. For optimum battery performance, avoid low discharge cycles by charging the battery pack frequently.
3. Store the battery pack in a cool place, ideally at 59°F (15°C) and charged to at least 40%.
4. Lithium-ion batteries are subject to a natural aging process. The battery pack must be replaced at the latest when its capacity falls to just 80% of its capacity when new. Weakened cells in an aged battery pack are no longer capable of meeting the high power requirements needed for the proper operation of your cordless drain auger, and therefore pose a safety risk.

5. Do not throw battery packs into an open fire as this poses a risk of explosion.
6. Do not ignite the battery pack or expose it to fire.
7. Do not exhaustively discharge batteries. Exhaustive discharge will damage the battery cells. The most common cause of exhaustive discharge is lengthy storage or non-use of partially discharged batteries. Stop working as soon as the performance of the battery falls noticeably or the electronic protection system triggers. Place the battery pack in storage only after it has been fully charged.
8. Protect batteries and the tool from overloads. Overloads will quickly result in overheating and cell damage inside the battery housing even if this overheating is not apparent externally.
9. Avoid damage and shocks. Immediately replace batteries that have been dropped from a height of more than 3 feet (1 meter) or those that have been exposed to violent shocks, even if the housing of the battery pack appears to be undamaged. The battery cells inside the battery may have suffered serious damage. In such instances, please read the waste disposal information for proper battery disposal.
10. If the battery pack suffers overloading and overheating, the integrated protective cutoff will switch off the equipment for safety reasons.
IMPORTANT! Do not press the ON/OFF switch any more if the protective cut-off has been activated. This may damage the battery pack.
11. Recharge only with the charger specified by the manufacturer. A charger that is suitable for one type of battery pack may create a risk of fire when used with another battery pack.
12. Use appliances only with specifically designated battery packs. Use of any other battery packs may create a risk of injury and fire.
13. Under abusive conditions, liquid may be ejected from the battery; avoid contact. If contact accidentally occurs, flush with water. If liquid contacts eyes, additionally seek medical help. Liquid ejected from the battery may cause irritation or burns. (This advice is considered correct for conventional NiMh, NiCd, lead acid and lithium-ion cell types. If this advice is incorrect for a cell design that differs from these, then the correct advice may be substituted.)
14. Do not use a battery pack or appliance that is damaged or modified. Damaged or modified batteries may exhibit unpredictable behavior resulting in fire, explosion or risk of injury.
15. Do not expose a battery pack or appliance to fire or excessive temperature. Exposure to fire or temperature above 266°F (130°C) may cause explosion.
16. Follow all charging instructions and do not charge the battery pack or appliance outside of the temperature range specified in the instructions. Charging improperly or at temperatures outside of the specified range may damage the battery and increase the risk of fire.

Information about the charger and the charging process

1. Please check the data marked on the rating plate of the battery charger (**sold separately**). Be sure to connect the battery charger to a power supply with the voltage marked on the rating plate. Never connect it to a different mains voltage
2. Protect the battery charger and its cord from damage. Keep the charger and its cord away from heat, oil and sharp edges. Have damaged cords repaired without delay by a qualified technician at an authorized Snow Joe® + Sun Joe® dealer or call the Snow Joe® + Sun Joe® customer service center at 1-866-SNOWJOE (1-866-766-9563).
3. Electrical plugs must match the outlet. Never modify the plug in any way. Do not use any adapter plugs with grounded appliances. Unmodified plugs and matching outlets will reduce the risk of electric shock.
4. Keep the battery charger, battery pack(s) and the cordless tool out of the reach of children.
5. Do not use the supplied battery charger to charge other cordless tools.
6. During periods of heavy use, the battery pack will become warm. Allow the battery pack to cool to room temperature before inserting it into the charger to recharge.
7. Do not overcharge batteries. Do not exceed the maximum charging times. These charging times only apply to discharged batteries. Frequent insertion of a charged or partially charged battery pack will result in overcharging and cell damage. Do not leave batteries in the charger for days on end.
8. Never use or charge batteries if you suspect that it has been more than 12 months since the last time they were charged. There is a high probability that the battery pack has already suffered dangerous damage (exhaustive discharge).
9. Charging batteries at a temperature below 41°F (5°C) will cause chemical damage to the cells and may cause a fire.
10. Do not use batteries that have been exposed to heat during the charging process, as the battery cells may have suffered dangerous damage.
11. Do not use batteries that have suffered curvature or deformation during the charging process or those that exhibit other atypical symptoms (gassing, hissing, cracking, etc.).
12. Never fully discharge the battery pack (maximum recommended depth of discharge is 80%). A complete discharge of the battery pack will lead to premature aging of the battery cells.










Protection from environmental influences

1. Wear suitable work clothes. Wear safety goggles.
2. Protect your cordless tool and the battery charger from moisture and rain. Moisture and rain can cause dangerous cell damage.

3. Do not use the cordless tool or the battery charger near vapors and flammable liquids.
4. Use the battery charger and cordless tools only in dry conditions and at an ambient temperature of 41°F – 105°F (5°C – 40.5°C).
5. Do not keep the battery charger in places where the temperature is liable to reach over 105°F (40.5°C). In particular, do not leave the battery charger in a car that is parked in the sunshine.
6. Protect batteries from overheating. Overloads, overcharging and exposure to direct sunlight will result in overheating and cell damage. Never charge or work with batteries that have been overheated – replace them immediately, if possible.
7. Store the charger and your cordless tool only in dry locations with an ambient temperature of 41°F – 105°F (5°C – 40.5°C). Store your lithium-ion battery pack in a cool, dry place at a temperature of 77°F (25°C). Protect the battery pack, charger and cordless tool from humidity and direct sunlight. Only place fully charged batteries in storage (charged to at least 40%).
8. Prevent the lithium-ion battery pack from freezing. Battery packs that were stored below 32°F (0°C) for more than 60 minutes must be discarded.
9. When handling batteries, be wary of electrostatic charge. Electrostatic discharges can damage the electronic protection system and the battery cells. Avoid electrostatic charging and never touch the battery poles.

Safety Symbols

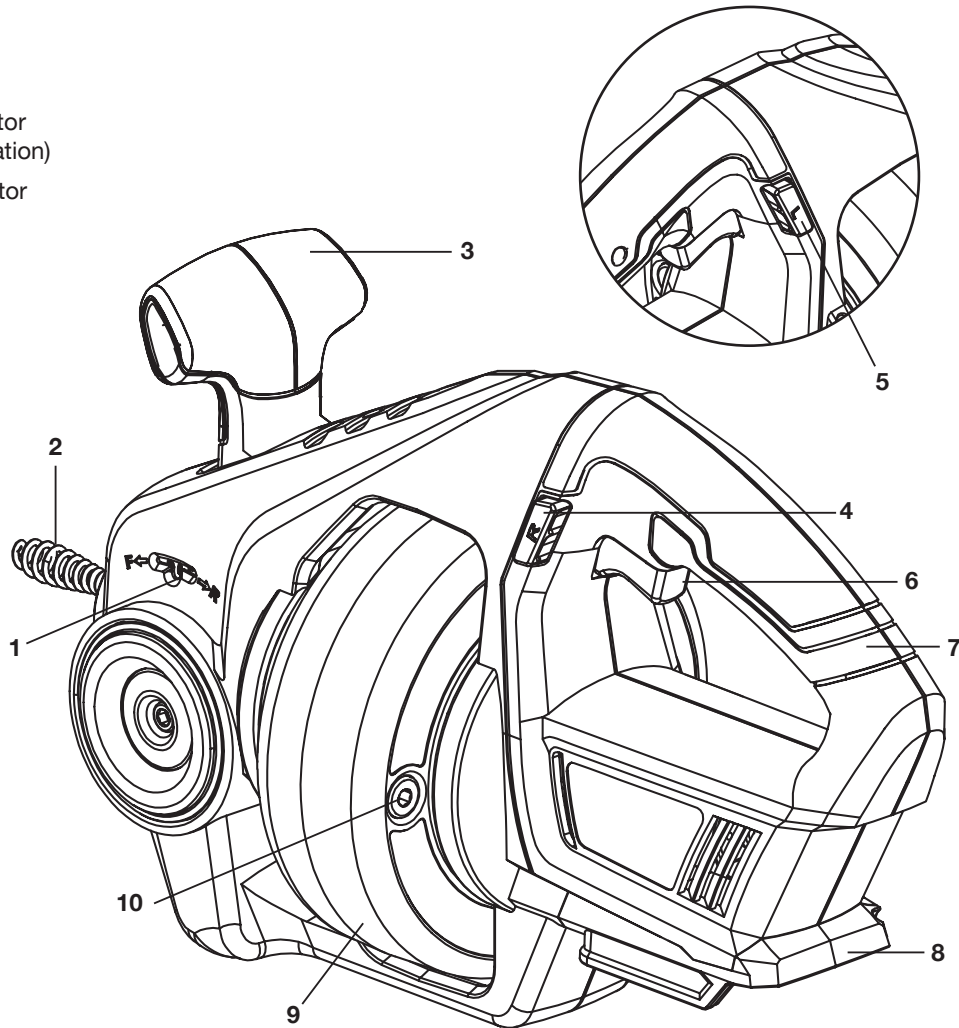
The following table depicts and describes safety symbols that may appear on this product. Read, understand, and follow all instructions on the machine before attempting to assemble and operate.

Symbols	Descriptions	Symbols	Descriptions
	READ THE OPERATOR'S MANUAL(S) – Read, understand, and follow all instructions in the user manual(s) before attempting to assemble and operate.		SAFETY ALERT – Indicates a precaution, a warning, or a danger.
	WARNING! Do not expose the unit to rain or wet conditions. Keep dry.		WEAR EYE PROTECTION – For protection against injury, wear safety goggles.
	WET CONDITIONS ALERT – Do not expose to rain or use in damp locations.		WARNING! Risk of hands, fingers or other body parts being caught, wrapped or crushed in the drain cleaning cable.
	WARNING! Risk of electrical shock.		Wear non-slip, heavy-duty protective gloves when handling the drain auger.
	Indoor use only. Only use battery charger indoors.		

Know Your Cordless Drain Auger

Read the owner's manual and safety instructions carefully before operating the cordless drain auger. Compare the illustration below to the cordless drain auger in order to familiarize yourself with the location of the various controls and adjustments. Save this manual for future reference.

1. Auger feed indicator
2. Cable
3. Operating handle
4. Reverse rotation selector (Counterclockwise rotation)
5. Forward rotation selector (Clockwise rotation)
6. Switch trigger
7. Handle
8. Battery compartment
9. Drum
10. Drain tab



SOLD SEPARATELY

Battery + Charger options available at sunjoe.com



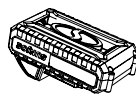
24VBAT-LTW



24VBAT-LTX



24VBAT-LTE



24VBAT-LT



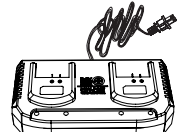
24VBAT



24VBAT-XR



24VCHRG-QC



24VCHRG-DPC

Technical Data

Motor	43.2 W
Battery Voltage*	24 V D.C.
Battery Capacity	See page 17 for battery options and specifications
Charging Time	See page 17 for battery options and specifications
Run Time Max	See page 17 for battery options and specifications
Cable Diameter	0.25 in. (6.35 mm)
Cable Length	25 ft. (7.6 m)
Maximum Pipe Size Cleared	2 in. (5.1 cm)
Minimum Pipe Size Cleared	0.75 in. (1.9 cm)
Clearing Distance	20 ft (6.1 m)
Variable Speed	0 – 560 rpm
Weight (without battery).....	7.6 lbs (3.5 kg)
Weight (with battery installed)	8.6 lbs (3.9 kg)

*Initial no-load voltage, when fully charged, peaks at 24 volts; nominal voltage under typical load is 21.6 volts.

Unpacking

Carton Contents

- Cordless drain auger
- Allen wrench
- Manual with registration card

NOTE: In order to operate this cordless drain auger you will need iON+ 24V System batteries and chargers. See page 17 for battery options and specifications, or visit sunjoe.com.

1. Carefully remove the drain auger and check to see that all of the above items are supplied.
2. Inspect the product carefully to make sure no breakage or damage occurred during shipping. If you find damaged or missing parts, DO NOT return the unit to the store. Please call the Snow Joe® + Sun Joe® customer service center at 1-866-SNOWJOE (1-866-766-9563).

NOTE: Do not discard the shipping carton and packaging material until you are ready to use your new cordless drain auger. The packaging is made of recyclable materials. Properly dispose of these materials in accordance with local regulations.

IMPORTANT! The equipment and packaging material are not toys. Do not let children play with plastic bags, foils, or small parts. These items can be swallowed and pose a suffocation risk!

Battery Pack Operation

NOTE: In order to operate this cordless drain auger, you will need iON+ 24V System batteries and chargers. See page 17 for battery options and specifications, or visit sunjoe.com.

The equipment is powered by a lithium-ion battery. The battery pack is completely sealed and maintenance free.

CORE TOOL






BATTERY + CHARGER SOLD SEPARATELY

In order to operate this cordless drain auger you will need iON+ 24V System batteries (models 24VBAT-LTW, 24VBAT-LTX, 24VBAT-LTE, 24VBAT-LT, 24VBAT, and 24VBAT-XR) and chargers (models 24VCHRG-QC, 24VCHRG-DPC). Battery and charger options available at sunjoe.com.

Battery Charge Level Indicator

The battery pack is equipped with a push button for checking the charge level. Simply press the push button to read off the battery charge level from the LEDs of the battery indicator:

- All 3 level monitoring LEDs are lit: Battery charge level is high.
- 2 level monitoring LEDs are lit: Battery charge level is decreasing. Stop work as soon as possible.
- 1 level monitoring LED is lit: Battery is flat. Stop work IMMEDIATELY and charge the battery. Otherwise the battery's service life will be greatly shortened.

	
Lights	Light Indicators
	Charge level button
	The battery is at 30% capacity and requires charging
	The battery is at 60% capacity and requires charging soon
	The battery is at full capacity

NOTE: If the charge level button does not appear to be working, insert the charger and charge as needed.

NOTE: Immediately after using the battery pack, the charge level button may display a lower charge than it will if checked a few minutes later. The battery cells “recover” some of their charge after resting.

Charger Operation

CORE TOOL

BATTERY + CHARGER SOLD SEPARATELY

In order to operate this cordless drain auger you will need iON+ 24V System batteries (models 24VBAT-LTW, 24VBAT-LTX, 24VBAT-LTE, 24VBAT-LT, 24VBAT, and 24VBAT-XR) and chargers (models 24VCHRG-QC, 24VCHRG-DPC). Battery and charger options available at sunjoe.com.

NOTE: In order to operate this drain auger you will need an iON+ 24V System battery and charger. See page 17 for battery options and specifications, or visit sunjoe.com.

This equipment is powered by a lithium-ion battery. The battery pack is completely sealed and maintenance free.

⚠ WARNING! Charge only Snow Joe® 24V lithium-ion battery packs with its compatible Snow Joe® 24V lithium-ion charger. Other types of batteries may cause personal injury and damage.

To reduce the risk of electric shock, do not allow water to flow into the charger's AC/DC plug.

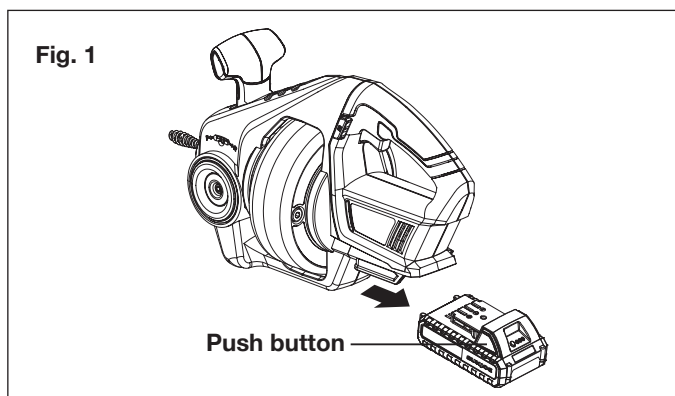
When to Charge the iON+ 24V Lithium-Ion Battery

NOTE: The iON+ 24V lithium-ion battery packs do not develop a "memory" when charged after only a partial discharge. Therefore, it is not necessary to run down the battery pack before placing it into the charger.

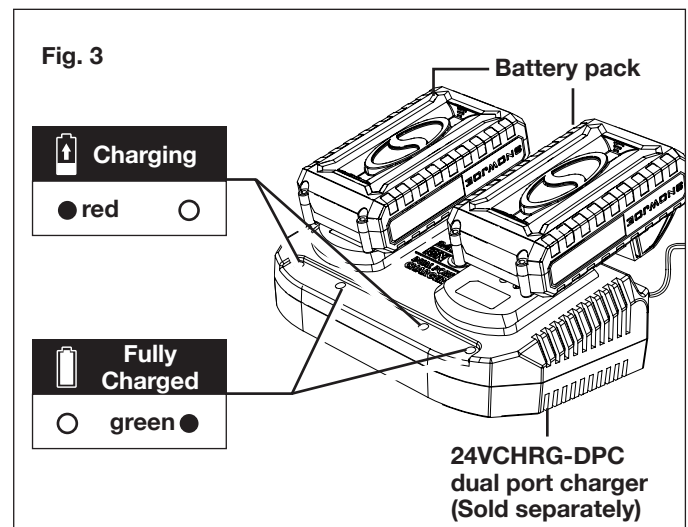
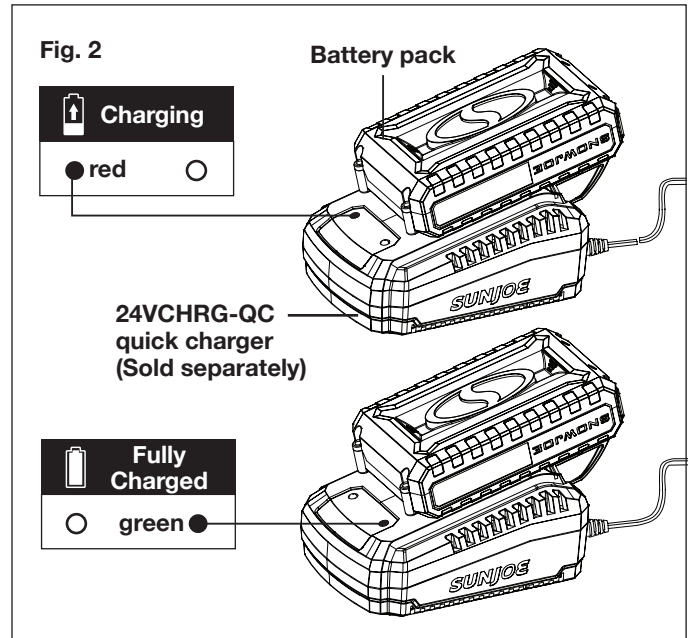
- Use the battery charge indicator lights to determine when to charge your iON+ 24V lithium-ion battery.
- You can "top-off" your battery pack's charge before starting a big job or after a long day of use.

Charging the Battery

1. Press the push lock buttons on the battery to pull the battery pack out of the equipment (Fig.1).



2. Depending on your Snow Joe® + Sun Joe® charger model, how to recharge your lithium-ion battery will vary. You may either insert your 24-volt battery into the 24VCHRG-QC Quick Charger (sold separately) or the 24VCHRG-OPC Dual Port Charger (sold separately) (Figs. 2 – 3).



3. The battery indicator LEDs will illuminate one by one during the charging process. Unplug the charger immediately when the 3 LEDs are all illuminated.
4. The 24VCHRG-QC Quick Charger (sold separately) and the 24VCHRG-DPC Dual Port Charger (sold separately) are also equipped with additional charging indicating lights which will indicate the charging status (Figs. 2 – 3).

⚠ CAUTION! FIRE HAZARD. When disconnecting the charger from the battery, be sure to unplug the charger from the outlet first, then disconnect the charger from the battery.

⚠️ WARNING! The chargers do not automatically turn off when the battery is fully charged. Please take care not to leave the battery plugged into the charger. Switch off or unplug the charger at the mains when charging is complete.

4. Timely recharging of the battery will help prolong the battery's life. You must recharge the battery pack when you notice a drop in the equipment's power.

IMPORTANT! Never allow the battery pack to become fully discharged as this will cause irreversible damage to the battery.

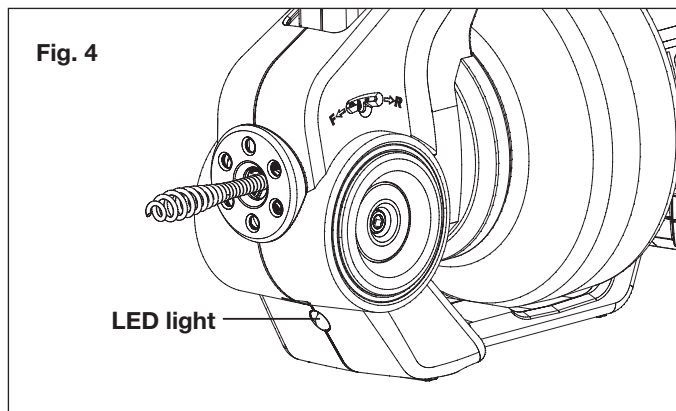
Operation

⚠️ WARNING! Always wear safety goggles when operating the drain auger. Failure to do so could result in objects being thrown into your eyes, resulting in possible serious injury.

⚠️ WARNING! Do not use any attachments or accessories not recommended by the manufacturer of this drain auger. The use of attachments or accessories not recommended can result in serious personal injury.

LED Light

The drain auger is equipped with a LED light to provide additional lighting for operation in low light conditions. The LED light will turn on when the trigger switch is pressed (Fig. 4).



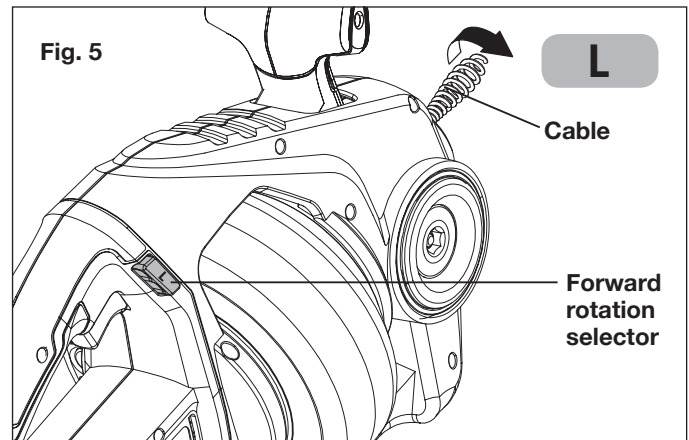
Please use a clean cloth to wipe the LED light in case of scratching; otherwise it will reduce luminance.

Direction of Rotation Selector

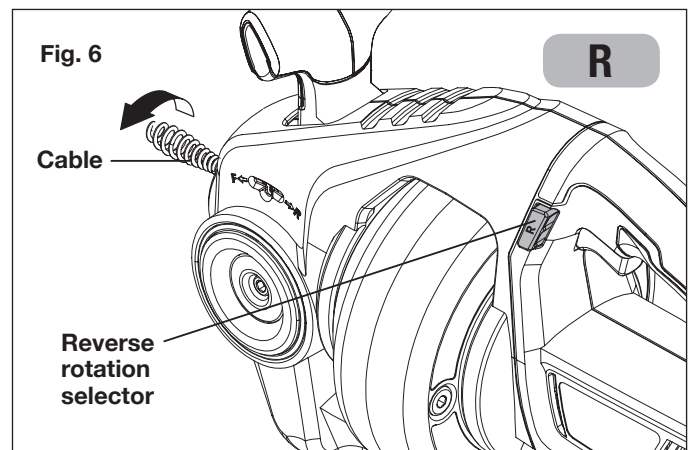
⚠️ WARNING! Set the direction of rotation selector in the OFF (center lock) position to lock the switch trigger and help prevent accidental starting when not in use.

NOTE: Always check the direction of the cordless drain auger rotation before use.

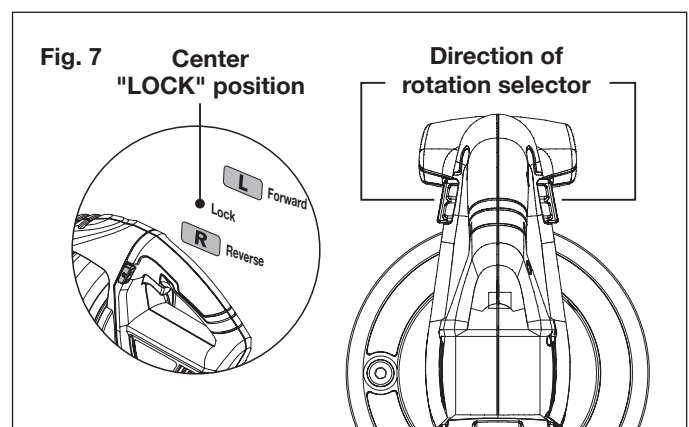
1. Press the (L) forward rotation selector to rotate the cable clockwise (Fig. 5).



2. Press the (R) reverse rotation selector to rotate the cable counterclockwise (Fig. 6).



3. Set the direction of rotation selector in the OFF (center lock) position to lock the switch trigger and help prevent accidental starting when not in use (Fig. 7).



NOTE: The tool will not run unless the direction of rotation selector is pushed fully to the left or right.

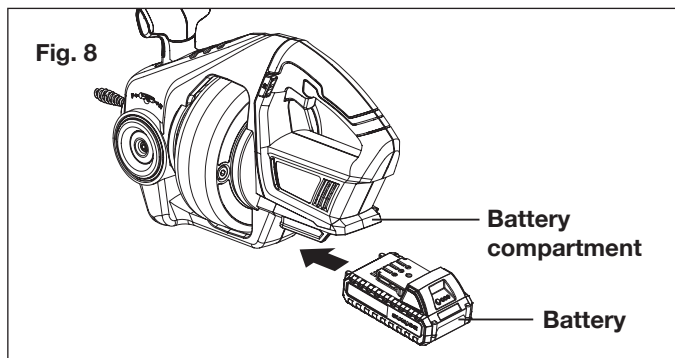
⚠️ WARNING! To prevent gear damage, always allow the cable to come to a complete stop before changing the direction of rotation.

⚠ WARNING! Battery tools are always in operating condition. Lock the switch when not in use or carrying at your side, when installing or removing the battery pack, and when manually advancing or retracting the cable.

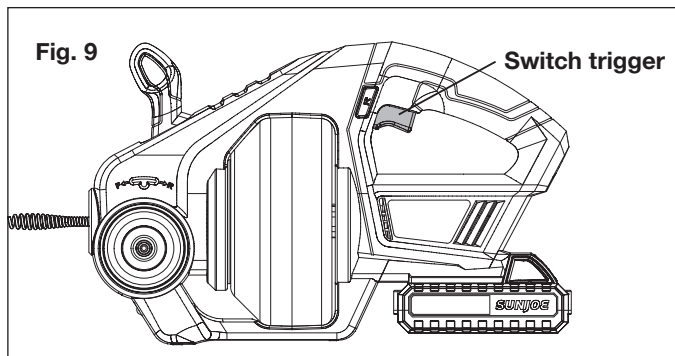
Starting + Stopping

The variable speed switch trigger delivers higher speed with increased trigger pressure and lower speed with decreased trigger pressure.

1. Set the direction of rotation in the OFF (center lock) position to lock the switch trigger (Fig. 7).
2. Insert the battery in the battery compartment (Fig. 8).



3. To turn the tool ON, press the (L/R) forward or reverse button then depress the switch trigger (Fig. 9).

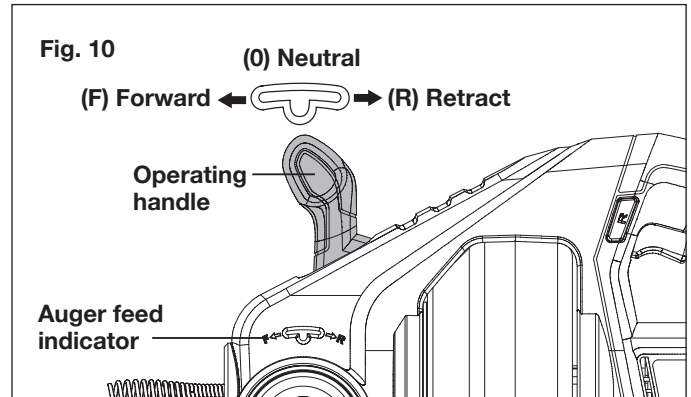


4. To turn in OFF, release the switch trigger and allow the cable to come to a complete stop (Fig. 9).

Advancing/Retracting the Cable

The drain auger has three operating modes: forward (F), neutral (0), and retract (R). If the drain auger is in neutral (0), the cable will not advance, or retract (Fig. 10).

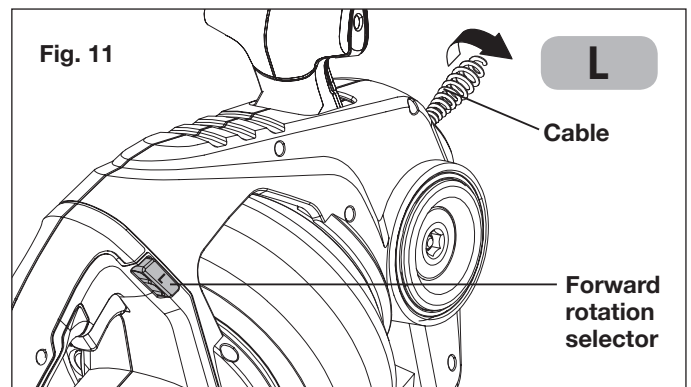
⚠ WARNING! Do not advance or retract the cable using the switch trigger unless the cable is in a drain pipe.



NOTE: The auger feed indicator will show if the auger is in (F) Forward, (0) Neutral, or (R) Retract.

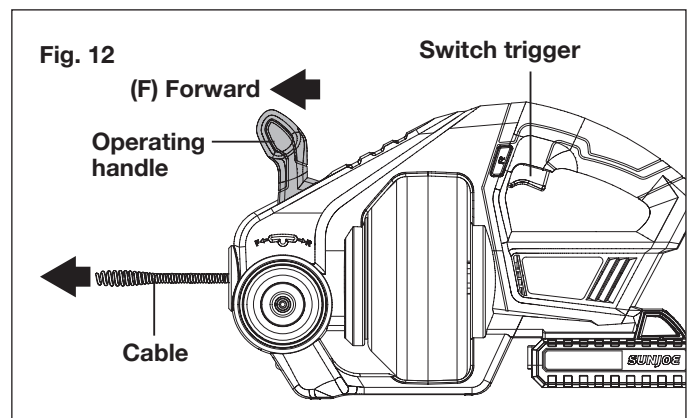
To advance the cable (Situation A):

1. Press the (L) forward rotation selector to rotate the cable clockwise (Fig. 11).



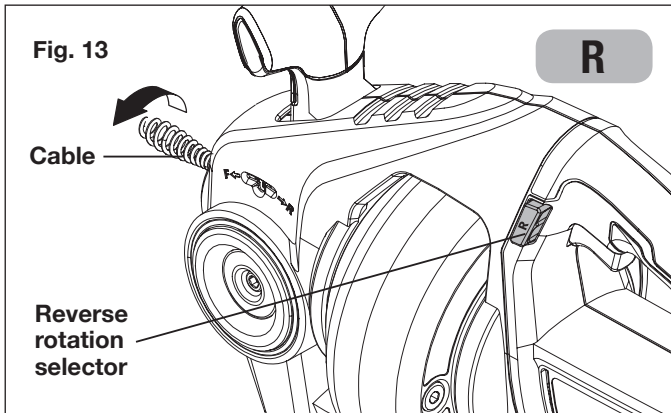
2. Move the operating handle forward to the (F) position, then press the switch trigger and the cable will rotate clockwise and advance the cable (Fig. 12).

NOTE: Once the cable has been advanced to your desired length, move the operating handle to (0) neutral position, the cable will not advance or retract.



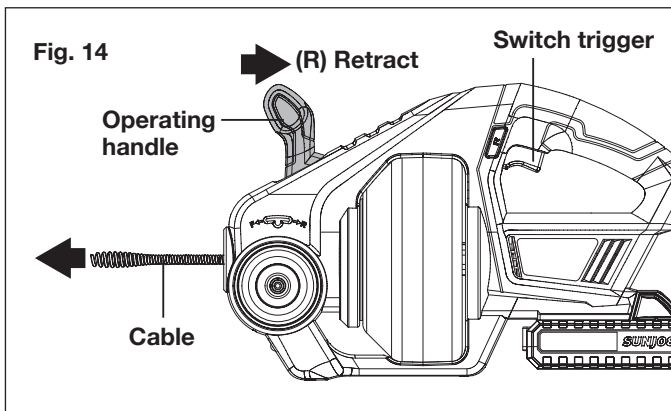
To advance the cable (Situation B):

1. Press the (R) reverse rotation selector to rotate the cable counterclockwise (Fig. 13).



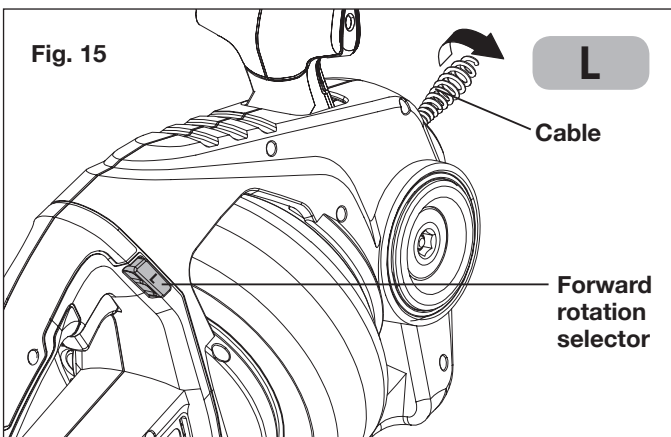
2. Move the operating handle backward to the (R) position, then press the switch trigger and the cable will rotate counterclockwise and advance the cable (Fig. 14).

NOTE: Once the cable has been advanced to your desired length, move the operating handle to (0) neutral position, the cable will not advance or retract.

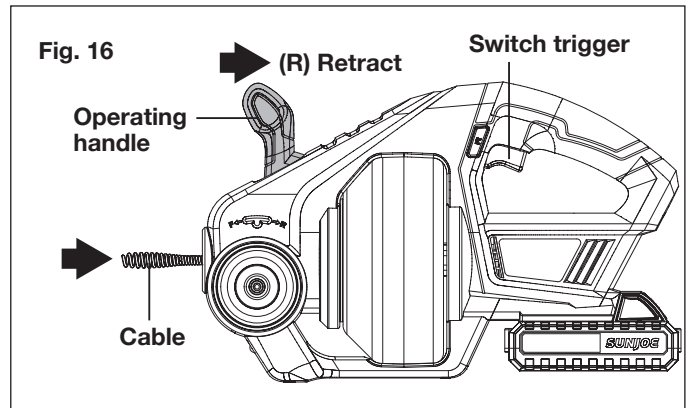


To retract the cable (Situation A):

1. Press the (L) forward rotation selector to rotate the cable clockwise (Fig. 15).

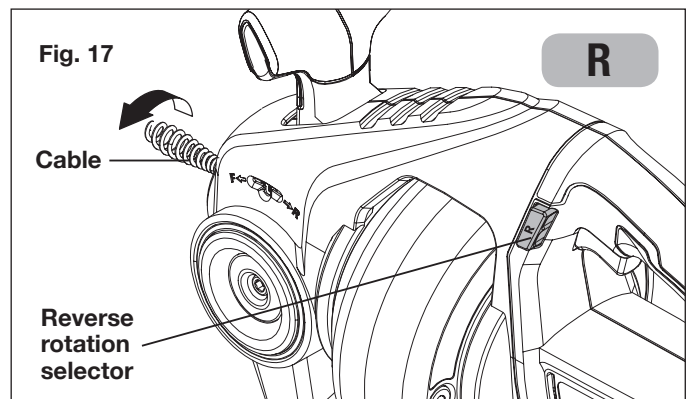


2. Move the operating handle backward to the (R) position, then press the switch trigger and the cable will retract backwards with clockwise rotation (Fig. 16).

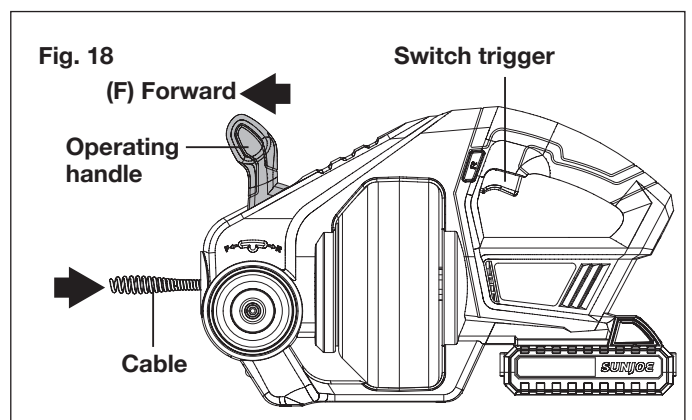


To retract the cable (Situation B):

1. Press the (R) reverse rotation selector to rotate the cable counterclockwise (Fig. 17).



2. Move the operating handle forward to the (F) position, then press the switch trigger and the cable will retract backwards with counterclockwise rotation (Fig. 18).



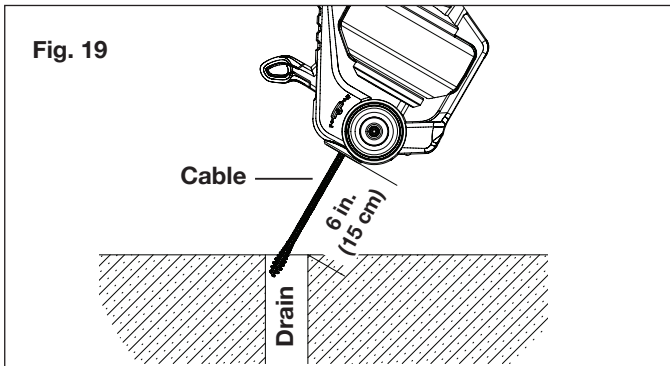
Using the Drain Auger

The drain auger can be used to clear obstructions from a variety of drains including sink, bathtub, and toilet drains.

NOTE: This product can be used to clear drain pipes with minimum diameters 0.75 in (1.9 cm) and maximum of 2 in (5.1 cm).

To clear obstructions:

1. When removing an obstruction from a sink or a bathtub, it may be necessary to remove the stopper or overflow cover to gain access to the drain pipe. Toilet drains can be accessed directly through the base of the bowl (Fig. 19).
2. Hold the drain auger within 4 in. (10 cm) of the drain or overflow, and manually feed the cable into the drain pipe.
NOTE: Advance the cable slowly at first. Advancing it too rapidly can result in twisting or binding.
3. After feeding about 6 in. (15 cm) of cable into the drain, you may begin advancing the cable using the trigger switch.



4. The cable should advance freely through the drain pipe until it contacts the obstruction or is caught in a P-trap.
5. If cable is caught in a P-trap, additional force or increased trigger pressure should be enough to advance it past the bend in the pipe.
6. If the cable has contacted an obstruction:
 - Advance the cable by squeezing the switch trigger. Hold the trigger for several seconds allowing the tip of the cable to bore into the obstruction.
 - If the cable stops rotating, release the switch trigger to avoid kinking or damaging the cable.
 - Place the operating handle in the neutral (0) position, then push or pull the cable manually until the obstruction is dislodged. Then slowly retract the cable from the drain pipe.

NOTE: When removing the cable from a drain, remove it slowly to avoid “splash back”.

NOTE: If the tip of the cable is entangled and difficult to remove, change the direction of rotation to (0) neutral and run the tool in neutral to unwind and disengage from the obstruction.

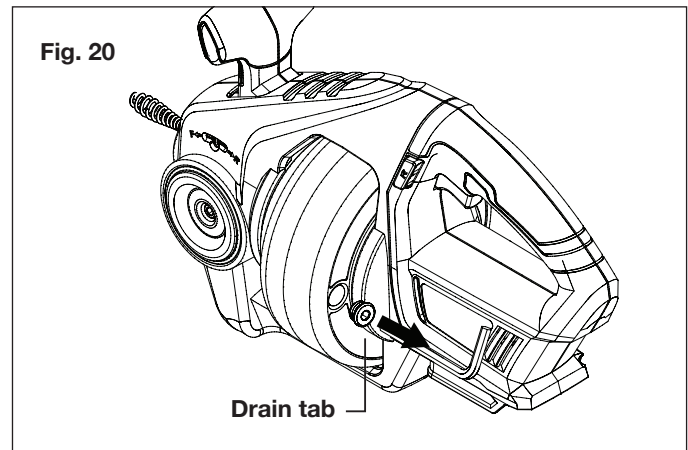
7. Once the obstruction is cleared, run water through your drain to confirm that the water is flowing freely.
8. After the cable has been properly cleaned, as described in the next section, store the unit for later use.

Cleaning the Drain Auger

The drain auger should be cleaned after each use to prevent contamination and residue build up.

To drain the drum:

1. Remove the battery pack from the tool.
2. Hold the tool at an angle and by using an Allen wrench lift the drain tab located on the back of the tool (Fig. 20).



3. Allow any liquid inside the drum to pour down a drain or into a container approved for liquid waste.

To clean the cable:

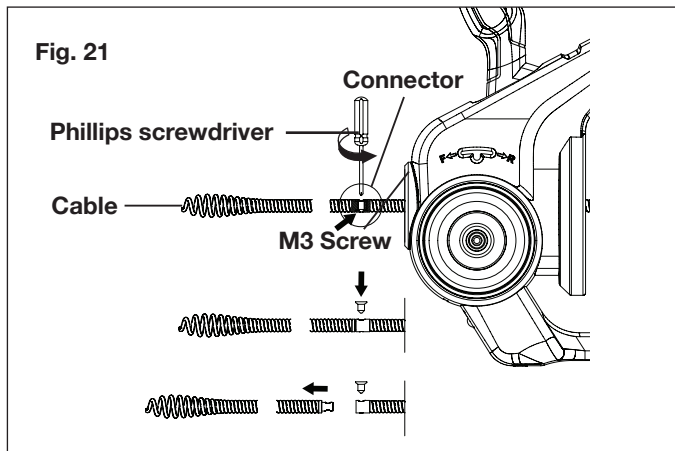
1. Remove the battery pack from the tool.
2. Place the operating handle in the (0) neutral position.
3. Using a clean cloth and warm soapy water, pull the cable out from the tool, cleaning it as it advances. Continue until the cable has been fully advanced and completely cleaned.
4. With operating handle in (0) neutral position, use a clean, dry cloth, push the cable back into the tool, drying it as it retracts. Continue until the cable has been fully retracted.
5. To ensure that no water entered the tool, drain the drum as described earlier (Fig. 20).

NOTE: To improve the life expectancy of your drain auger and to protect from rusting, wipe it down with an oiled cloth. With the exception of the cable, the parts of the drain auger cannot be replaced.

⚠ WARNING! Do not advance or retract the cable using the switch trigger unless the cable is in a drain pipe.

Replacing Cable

1. Remove the battery pack from the tool.
2. Place the operating handle in the (0) neutral position.
3. Pull the cable out from the tool to expose the connector.
4. Unscrew the M3 set screws with a Phillips head screwdriver and remove the old cable (Fig. 21).



5. Insert the new cable into the connector, align the screw holes and tighten M3 set screws.
6. Wear protective gloves, then hand feed the new cable back into the drum.

⚠ WARNING! Do not start the tool to retract the cable, exposed cable can lead to unpredictable personal injury, tool damage, damage to indoor objects, fire, electric shock and other dangerous situations.

If the cable cannot be replaced, please call the Snow Joe® + Sun Joe® customer service center at 1-866-SNOWJOE (1-866-766-9563).

Cleaning + Maintenance

⚠ WARNING! Remove the battery pack before inspection and maintenance.

⚠ WARNING! Do not at any time let brake fluids, gasoline, petroleum based products, penetrating oils, etc., come in contact with plastic parts. Chemicals can damage, weaken or destroy plastic which can result in serious personal injury.

⚠ WARNING! When servicing, use only identical replacement parts. Use of any other part could create a hazard or cause product damage.

⚠ WARNING! To avoid accidents, always disconnect the tool and/or charger from the power supply before cleaning.

Ventilation openings and switch trigger must be kept clean and free of foreign matter. Do not attempt to clean by inserting pointed objects through opening.

Storage

Store your cordless drain auger out of reach of children or other untrained persons.

Drain auger can be stored in the garage, cleaning cupboard or wherever you keep your tools and cleaning supplies.

Troubleshooting

- If the drain auger does not function, check the battery and make sure it is charged.
- If the battery does not charge, check the charger adapter and the charger adapter cable are connected correctly. Remove the battery pack and allow it to cool down to room temperature.
- Avoid using solvents when cleaning plastic parts. Most plastics are susceptible to damage from various types of commercial solvents and may be damaged by their use. Use clean cloths to remove dirt, dust, oil, grease, etc.

Battery Caution + Disposal

Always dispose of your battery pack according to federal, state, and local regulations. Contact a recycling agency in your area for recycling locations.

⚠ CAUTION! Even discharged battery packs contain some energy. Before disposing, use electrical tape to cover the terminals to prevent the battery pack from shorting, which could cause a fire or explosion.

⚠ WARNING! To reduce the risk of injury or explosion, never burn or incinerate a battery pack even if it is damaged, dead, or completely discharged. When burned, toxic fumes and materials are emitted into the surrounding atmosphere.

1. Batteries vary according to device. Consult your manual for specific information.
2. Install only new batteries of the same type in your product (where applicable).
3. Failure to insert batteries in the correct polarity, as indicated in the battery compartment or manual, may shorten the life of the batteries or cause batteries to leak.
4. Do not mix old and new batteries.
5. Do not mix Alkaline, Standard (Carbon-Zinc), or Rechargeable (Nickel Cadmium, Nickel Metal Hydride, or Lithium-Ion) batteries.
6. Do not dispose of batteries in fire. The cell of the battery may explode.
7. Batteries should be recycled or disposed of as per state and local guidelines.

Service + Support

- Drain auger service must be performed only by qualified repair personnel. Service or maintenance performed by unqualified personnel may result in a risk of injury.
- When servicing an drain auger, use only identical replacement parts. Follow instructions in the cleaning and maintenance section of this manual. Use of unauthorized parts or failure to follow maintenance instructions may create a risk of shock or injury.
- If your Sun Joe® 24V-DRNCLN-CT cordless drain auger requires service or maintenance, please call the Snow Joe® + Sun Joe® customer service center at 1-866-SNOWJOE (1-866-766-9563).

Model + Serial Numbers

When contacting the company or reordering parts, you will need to provide the model and serial numbers of your product. These are found on the decal affixed to the housing or handle of your cordless compressor. Copy these numbers into the space provided below.

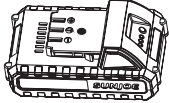
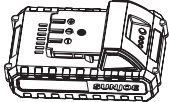
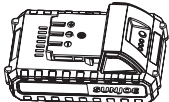
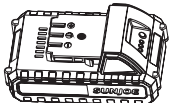
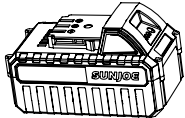
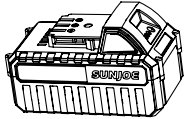

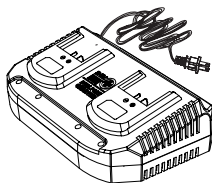
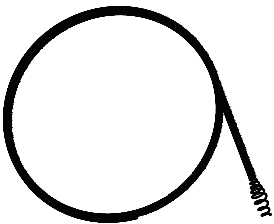
Record the following numbers from the housing or handle of your new product:

Model #:

Serial #:

Optional Accessories

⚠ WARNING! ALWAYS use only authorized Snow Joe® + Sun Joe® replacement parts and accessories. NEVER use replacement parts or accessories that are not intended for use with this cordless drain auger. Contact Snow Joe® + Sun Joe® if you are unsure whether it is safe to use a particular replacement part or accessory with your cordless drain auger. The use of any other attachment or accessory can be dangerous and could cause injury or mechanical damage.

Accessories	Item	Model
	24V iON+ 1.3 Ah Lithium-Ion Battery <i>Battery Charge Time Max:</i> 24VCHRG-AC: 50 min 24VCHRG-QC: 35 min 24VCHRG-DPC: 35 min <i>Battery Runtime Max: 45 min</i>	24VBAT-LTW
	24V iON+ 1.5 Ah Lithium-Ion Battery <i>Battery Charge Time Max:</i> 24VCHRG-AC: 60 min 24VCHRG-QC: 40 min 24VCHRG-DPC: 40 min <i>Battery Runtime Max: 50 min</i>	24VBAT-LTX
	24V iON+ 2.0 Ah Lithium-Ion Battery <i>Battery Charge Time Max:</i> 24VCHRG-AC: 1 hr 20 min 24VCHRG-QC: 55 min 24VCHRG-DPC: 55 min <i>Battery Runtime Max: 70 min</i>	24VBAT-LTE
	24V iON+ 2.5 Ah Lithium-Ion Battery <i>Battery Charge Time Max:</i> 24VCHRG-AC: 1 hr 40 min 24VCHRG-QC: 1 hr 20 min 24VCHRG-DPC: 1 hr 10 min <i>Battery Runtime Max: 1 hr 25 min</i>	24VBAT-LT
	24V iON+ 4.0 Ah Lithium-Ion Battery <i>Battery Charge Time Max:</i> 24VCHRG-AC: 3 hrs 30 min 24VCHRG-QC: 1 hr 50 min 24VCHRG-DPC: 1 hr 50 min <i>Battery Runtime Max: 2 hr 20 min</i>	24VBAT
	24V iON+ 5.0 Ah Lithium-Ion Battery <i>Battery Charge Time Max:</i> 24VCHRG-AC: 3 hrs 20 min 24VCHRG-QC: 2 hr 20 min 24VCHRG-DPC: 2 hr 30 min <i>Battery Runtime Max: 2 hr 50 min</i>	24VBAT-XR
	24V iON+ Lithium-Ion Battery Quick Charger	24VCHRG-QC
	24V iON+ Lithium-Ion Battery Dual Port Charger	24VCHRG-DPC
	25 ft (7.6 m) Replacement Cable	24V-DRNCLN-CBL

NOTE: Accessories are subject to change without any obligation on the part of Snow Joe® + Sun Joe® to provide notice of such changes. Accessories can be ordered online at sunjoe.com or via phone by contacting the Snow Joe® + Sun Joe® customer service center at 1-866-SNOWJOE (1-866-766-9563).



SNOW JOE® + SUN JOE® CUSTOMER PROMISE

ABOVE ALL ELSE, Snow Joe® + Sun Joe® are dedicated to you, our customer. We strive to make your experience as pleasant as possible. Unfortunately, there are times when a product does not work or breaks under normal operating conditions. We think it's important that you know what you can expect from us. That's why we created the Snow Joe® + Sun Joe® promise.

OUR PROMISE: Snow Joe® + Sun Joe® warrant new products for two years from the date of purchase. If your product does not work, or there's an issue with a specific part, we will fix this by either sending you a free replacement part or by sending you a new or comparable product at no charge. How cool is that! Before you know it, you'll be back in action cutting, sawing, mowing, washing and...?

PRODUCT REGISTRATION:

Snow Joe®, LLC ("Snow Joe® + Sun Joe®") strongly encourages you to register your purchase. You can register online at snowjoe.com/ProductRegistration, or by printing and mailing in a registration card available online from our website, or calling our Customer Service Department at **1-866-SNOWJOE (1-866-766-9563)**, or by e-mailing us at help@snowjoe.com. Failure to register your product purchase will not diminish your warranty rights. However, registering your purchase will allow Snow Joe® + Sun Joe® to better serve you with any of your customer service needs.

WHO CAN SEEK WARRANTY COVERAGE?

This Warranty is extended by Snow Joe® + Sun Joe® to the owner of this Machine (a "Machine" consists of a product powered by a motor) for residential and personal household use only. This Warranty does not apply to products used for commercial, rental or re-sale purposes. Should ownership of this machine change during the 2-year period, please update the Machine's owner information at snowjoe.com/ProductRegistration.

WHAT IS COVERED?

Snow Joe® + Sun Joe® warrants to the owner that if this Machine fails within 2 years from the date of purchase due to a defect in material or workmanship or as a result of normal wear and tear from ordinary household use, Snow Joe® + Sun Joe® will send a replacement part or product, as needed, free of charge and with free shipping to the original purchaser.

If, in Snow Joe® + Sun Joe®'s sole discretion, the failed Machine cannot be repaired with a part, Snow Joe® + Sun Joe® will elect to either (A) send a new Machine at no charge and with free shipping or (B) refund the full purchase price to the owner.

WHAT IS NOT COVERED?

This Warranty does not apply to the Machines that have been used commercially or in non-household applications. This Warranty does not cover cosmetic changes that do not affect performance. This Warranty is only valid if the Machine is used and maintained in accordance with the instructions, warnings and safeguards contained in the owner's manual. Snow Joe® + Sun Joe® will not be responsible for the cost of any unauthorized warranty repairs. This warranty does not cover any cost or expense incurred by the purchaser in providing substitute equipment or service during reasonable periods of malfunction or non-use of this product while waiting for a replacement part or unit under this warranty.

Wearing parts like belts, augers, chains and tines are not covered under this warranty, and can be purchased at snowjoe.com or by calling **1-866-SNOWJOE (1-866-766-9563)**. Batteries are covered in full for 90-days from the date of purchase.

Repair, replacement or refund of the purchase price are the exclusive remedies of purchaser and the sole liability of Snow Joe® + Sun Joe® under this warranty. No employee or representative of Snow Joe® + Sun Joe® is authorized to make any additional warranty or any modification to this warranty which may be binding upon Snow Joe® + Sun Joe®. Accordingly, purchaser should not rely upon any additional statements made by any employee or representative of Snow Joe® + Sun Joe®. In no event, whether based on contract, indemnity, warranty, tort (including negligence), strict liability or otherwise, shall Snow Joe® + Sun Joe® be liable for any special, indirect, incidental, or consequential damages, including, without limitation, loss of profit or revenue.

Some states do not allow limits on warranties. In such states, the above limitations may not apply to you.

Outside the USA, other warranties may apply.



sunjoe.com